



ALBUQUERQUE VAULT COMPANY

PRE-CAST
CONCRETE
PRODUCTS

300 Airport Dr., NW * Albuquerque, NM 87121 * Phone: 505-836-4404 / Fax: 505-836-5663

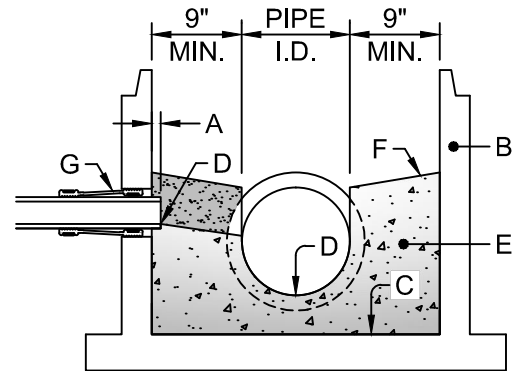
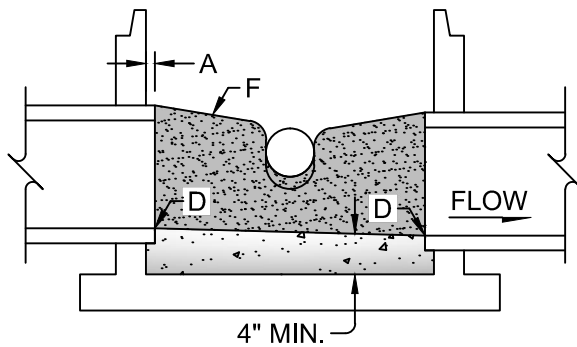
Detail #

INVERT

Not To Scale

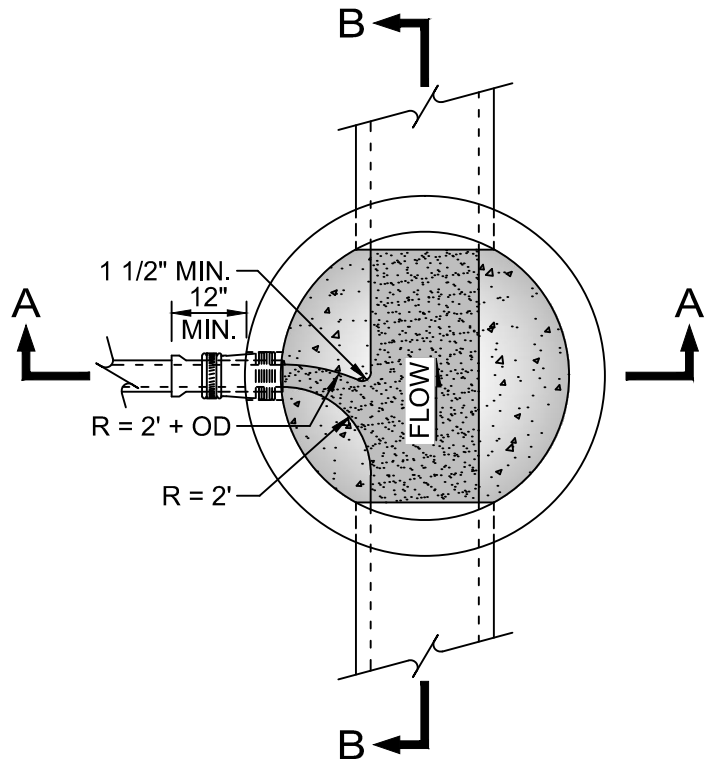
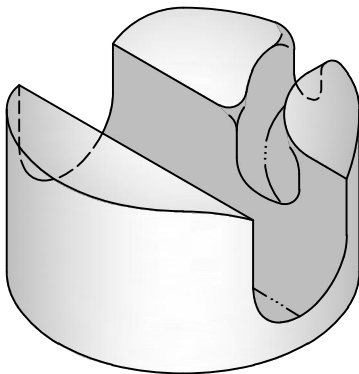
Feb. 2009

PRECAST INVERTS



LEGEND:

- A. Pipe penetration into manhole shall be flush to 2" max. measured at springline of pipe.
- B. Precast reinforced concrete manhole.
- C. Manhole base.
- D. Invert elevation of stub or lateral as shown on plans.
- E. Concrete per city of Albuquerque section 101.
- F. Slope 1 inch per foot from pipe crown.
- G. Approved waterstop to be with type of pipe.



GENERAL NOTES:

1. Precast inverts available in 8", 10", 12", and 15".
2. Concrete compressive strength 4,000 psi min.
3. Pipe penetration to be as per job requirements. Use non-shrink grout for joints, fillets, and pipe penetrations, or approved water stop.