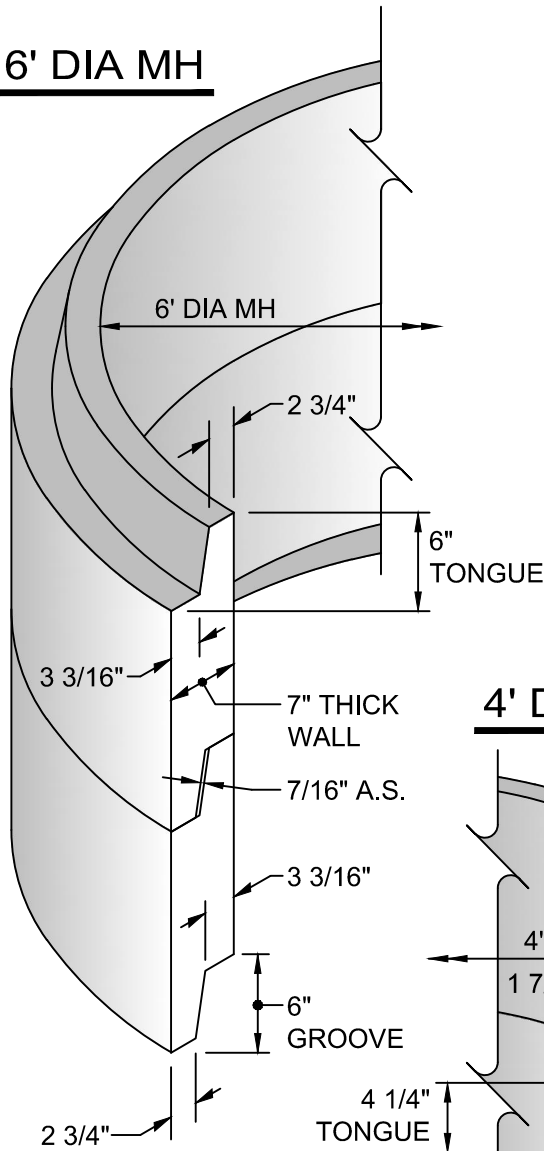


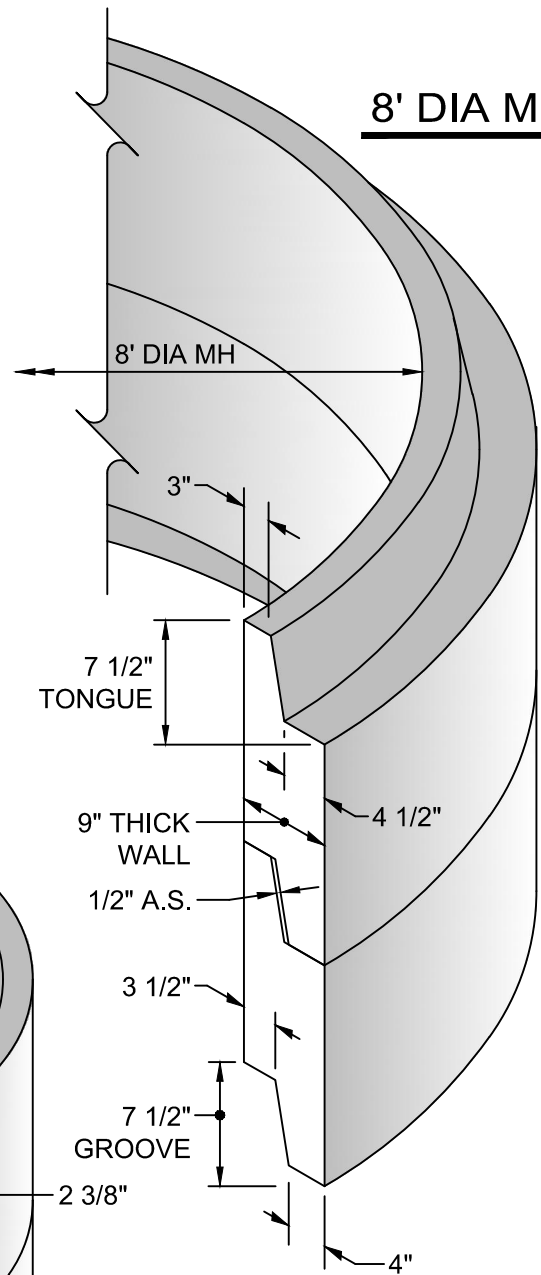


## MANHOLE JOINT DETAILS

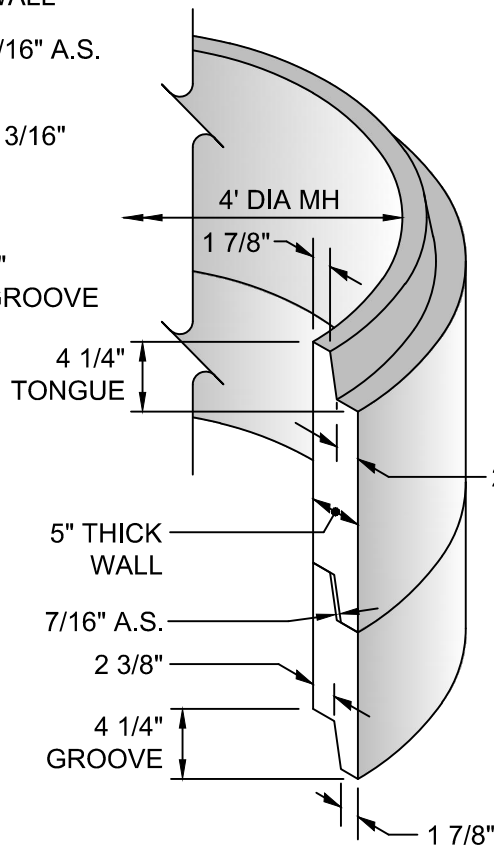
### 6' DIA MH



### 8' DIA MH



### 4' DIA MH



#### GENERAL NOTES:

1. Butyl rubber section joint design conforms to latest ASTM C-478 specifications.
2. Butyl rubber sealant conforms to ASTM C-990, AASHTO M-198, and federal specifications SS-S-00210 (210-A).
3. Manufacturer literature available upon request.