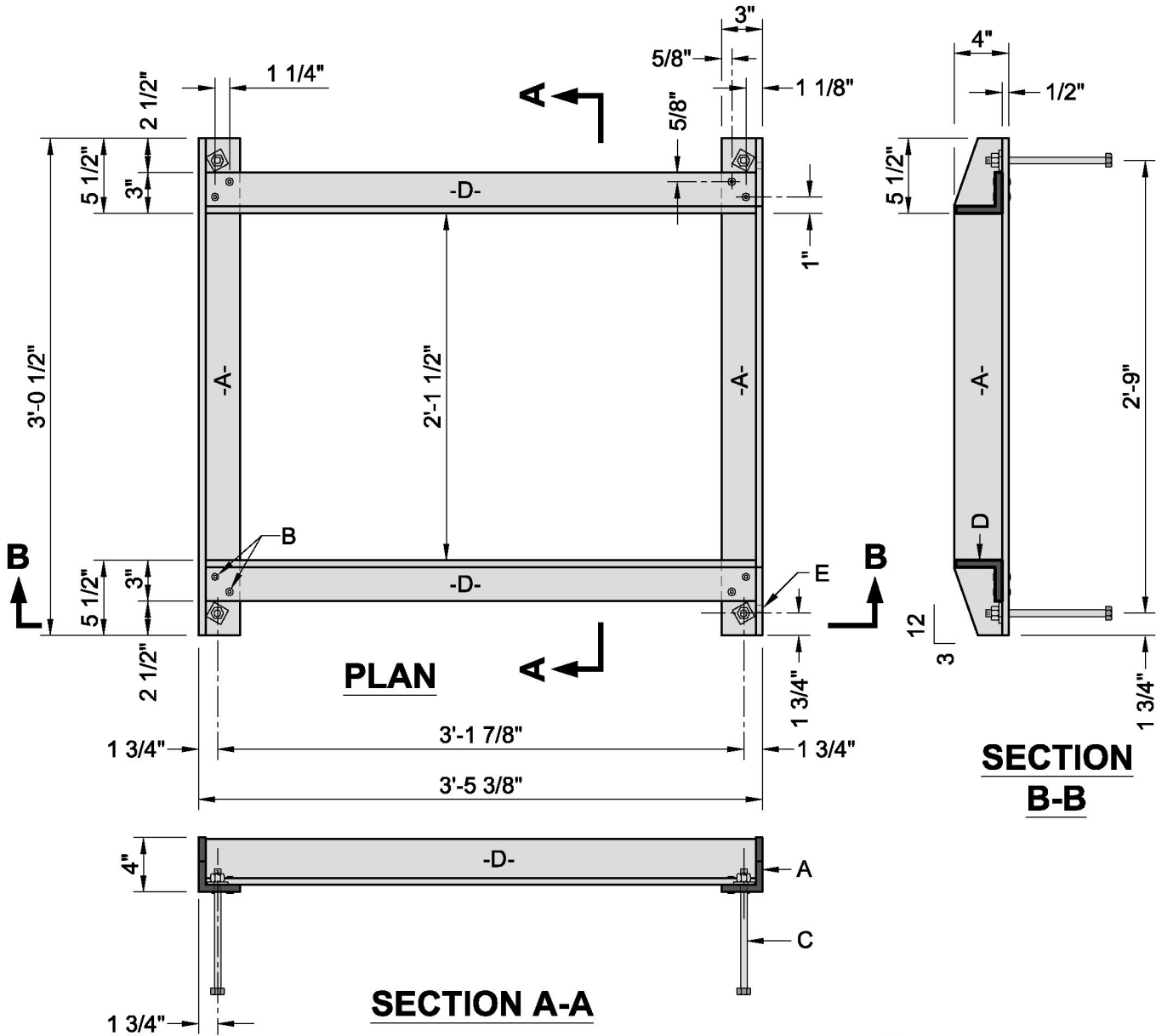




STORM INLET FRAME ASSEMBLY



GENERAL NOTES:

1. All exposed metal parts shall be painted prior to assembly. welding machining and drilling shall be done prior to painting. all dimensions are finish dimensions.
2. All parts shall be of structural steel grade 36.
3. For cleaning and painting of frame see drawing 2215, general note #5.
4. Frame may be welded or riveted.

LEGEND:

- A. 4" x 3" x 1/2" x 3'-0 1/2" angle.
- B. (2) rivets at each corner, see General note #5.
- C. 1/2" bolts with square head and nut at each corner for anchoring frame into concrete wall.
- D. 3 1/2" X 3" X 3/8" X 3'-4 3/8" angle.
- E. Bolt frames together for double inlets per detail 2215.
- F. For grate see standard detail 2220.

